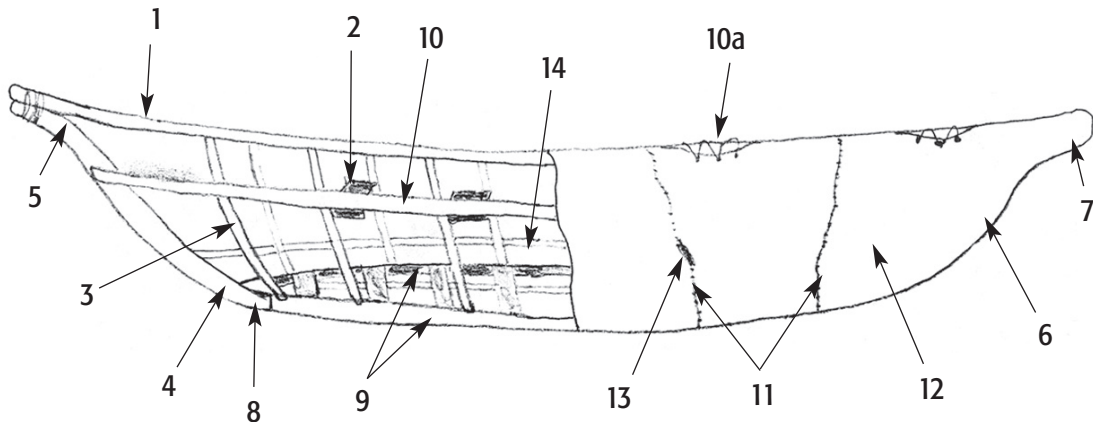


Umiam Saungá - Boat Frame



1 quliik: gunwales

2 iksugaq: seat

2a qunjialik: seat closest to bow

3 tulimaa: rib

4 niutaq: stern or bow

5 aqu: stern

6 sivu: bow

7 qiglu: bow deck

8 kuyaaq: keel

9 akkuk: bottom formers

10 tuurvik: fore or aft framing member to which skin is lashed

10a tugrun: skin's lashing ropes

11 kilu: seam

12 amiq: skin covering
amiqsut: they are sewing skins for boat

13 angun: pitch (caulking) with caribou fat and hot seal oil

14 uvaagiitkutaa: stabilizer for boat frame